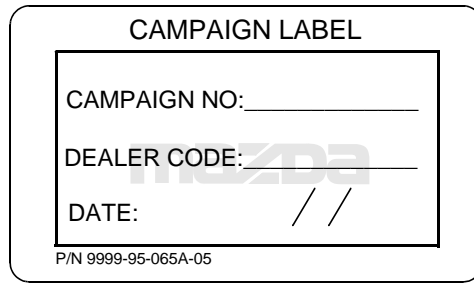
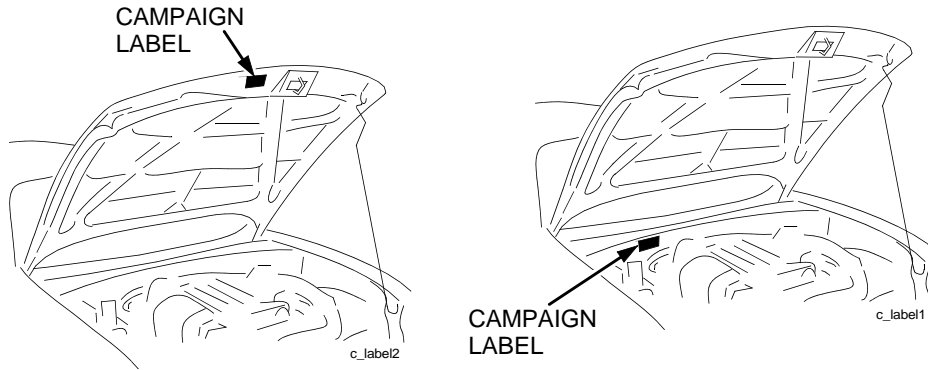


A. VEHICLE INSPECTION PROCEDURE

1. Verify that the vehicle is within the following ranges:
 - 2006 MX-5 VIN Range: (JM1 NC**** 60 111301 - 114609)
 - If the vehicle is within the above range, proceed to step 2.
 - If the vehicle is not within the above range, return the vehicle to the customer or inventory.
2. Perform a Warranty Vehicle Inquiry using your eMDCS System and inspect vehicle for a Campaign Label **Recall 3906C** attached to the vehicle’s hood or bulkhead. Refer to eMDCS System - Warranty Vehicle Inquiry Results table below.

NOTE: Verify recall number as the vehicle may have multiple recalls.



1326b

eMDCS System - Warranty Vehicle Inquiry Results

If eMDCS displays:	Campaign Label is:	Action to perform:
3906C OPEN	Present	Contact the Mazda Corporate Dealer Assistance Group at (877) 727-6626 to update vehicle history.
	Not present	Proceed to “REPAIR PROCEDURE”.
3906C CLOSED	Present	Return vehicle to inventory or customer.
	Not present	Complete a label and apply to vehicle’s hood or bulkhead.
3906C is not displayed	Does not apply	Recall does not apply to this vehicle. Return vehicle to inventory or customer.

B. REPAIR PROCEDURE

DRIVER-SIDE AIR BAG MODULE REMOVAL/INSTALLATION

WARNING:

- Handling the air bag module improperly can accidentally deploy the air bag module, which may seriously injure you. Read the air bag system service warnings and cautions before handling the air bag module. (See AIR BAG SYSTEM SERVICE WARNINGS/CAUTIONS in the Workshop Manual.)

1. Turn the ignition switch to the LOCK position.
2. Remove the battery cover.

NOTE:

- Record radio preset stations before disconnecting the battery cable.

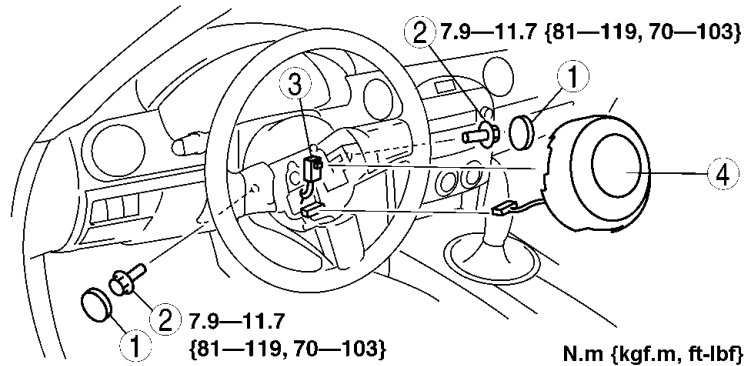
3. Disconnect the negative battery cable and wait for 1 min. or more.

WARNING:

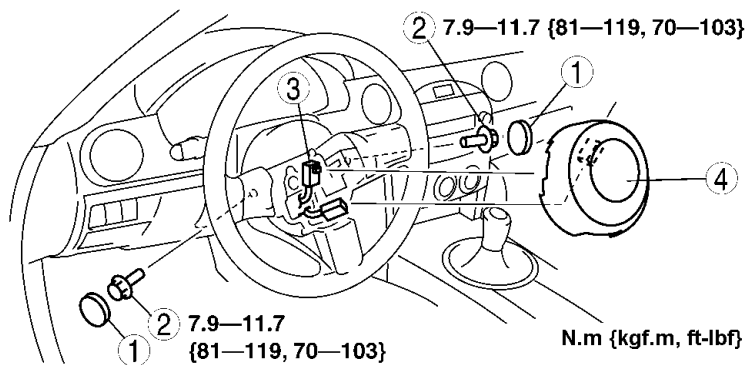
- For vehicles with DSC, if the negative battery cable is disconnected, the stored initial position of the steering angle sensor will be cleared and the DSC will not operate properly, making the vehicle unsafe to drive. Perform the steering angle sensor initialization procedure in STEP 10 after reconnecting the negative battery cable.

4. Remove the driver-side air bag module in the order indicated in the table.

VEHICLE WITH AUDIO SWITCH

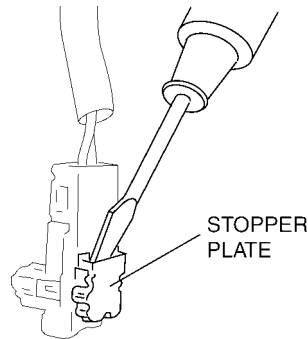


VEHICLE WITHOUT AUDIO SWITCH

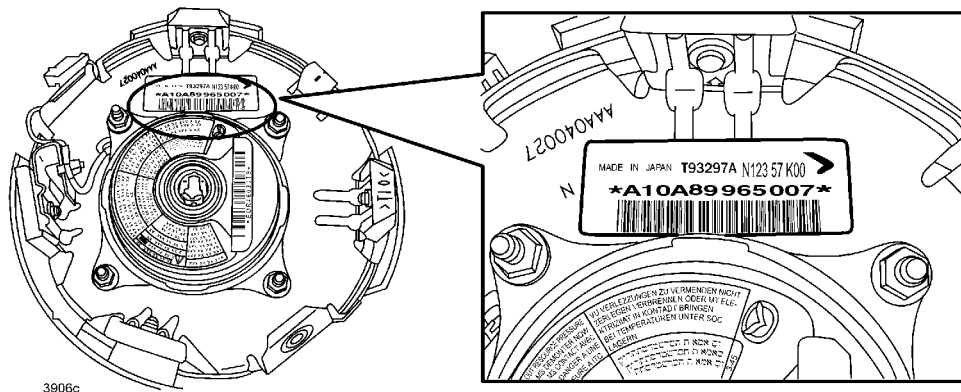


- (1) - Cap (2)
- (2) - Bolt (2)
- (3) - Connector
- (4) - Driver-Side Air Bag

- a. Using a flathead screwdriver, carefully pry out the connector stopper plate.
- b. Disconnect the connector.



5. Record the air bag serial numbers of the old (removed) and new (to be installed) air bag modules, together with the VIN and RO#. The air bag serial number (12 digits) is indicated in a label attached on the backside of the module. Report the serial numbers of old and new air bag modules and corresponding VIN to MNAO using attached Air Bag Serial Number Log Sheet(s) on pages 5 and 6 so that the air bag module serial number can be tracked with VIN when the necessity arises in the future.

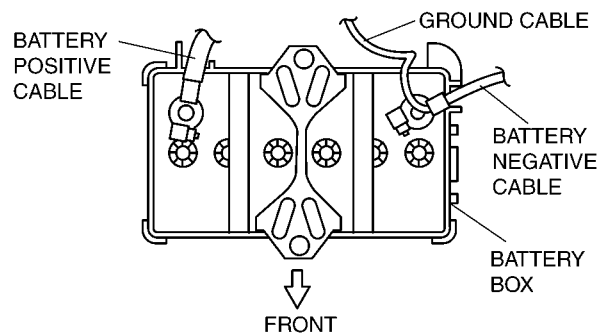


**AIR BAG SERIAL NO.
FOR EXAMPLE: *A10A89965007**

6. Install a new driver air bag module in the reverse order of removal.
7. Connect the negative battery cable to the battery and install the battery cover. Input customer radio presets.

NOTE:

- When connecting the negative battery cable to the battery, connect the negative battery cable and the ground cable as shown in the figure.



8. Turn the ignition switch to the ON position.
9. Verify that the air bag system warning light illuminates for approx. 6 s and goes out.

NOTE:

- If the air bag system warning light does not operate normally, refer to Workshop Manual section 08-02 ON-BOARD DIAGNOSTIC (air bag system) and perform inspection of the system.

10. Perform the steering angle sensor initialization (vehicles equipped with DSC).

WARNING:

- **Unless the initialization procedure of the steering angle sensor is completed, the DSC will not operate, causing an unexpected accident. Therefore, always perform the initialization procedure to ensure DSC operation if the power supply to the steering angle sensor has been cut off due to disconnection of the steering angle sensor connector or negative battery cable, or any other cause.**
- a. Ensure ignition switch is in the ON position.
 - b. Confirm that the DSC indicator light illuminates and that the DSC OFF light flashes.
 - c. Turn the steering wheel to full right lock, then turn it to full left lock.
 - d. Confirm that the DSC OFF light goes out. (DSC indicator light illuminates)
 - e. Turn the ignition switch off.
 - f. Turn the ignition switch to the ON position again, and confirm that the DSC indicator light goes out.

NOTE:

- If the DSC indicator light does not go out, turn ignition off, disconnect and connect the negative battery cable, and then perform the procedure again starting from SUB-STEP "a".

AIR BAG RETURN PROCEDURE

Properly return defective air bags to your facing PDC.

IMPORTANT:

- The following information is from the MAZDA WARRANTY POLICIES & PROCEDURES, Section: Warranty Parts Handling, Inspection, and Return, Policy No: 7.9, Policy: Procedure for Returning Hazardous Materials.
 - **DO NOT RETURN PARTS WHICH ARE CLASSIFIED AS HAZARDOUS MATERIALS UNLESS YOU ARE A HAZMAT CERTIFIED DEALER.**
 - Service Support/Parts Inspection may request warranty parts that are classified as hazardous materials (HAZMAT) for shipping purposes. The dealership is responsible to identify hazardous materials before shipment to determine proper packaging, labeling, and shipping requirements. All hazardous material shipments must comply with all applicable laws and regulations.
 - The Federal Hazardous Material Transportation Law is the basic statute regulating the transportation of HAZMAT in the United States. This law requires training for all employees who load, unload, handle, or prepare hazardous material for transportation. It is the responsibility of each dealer to ensure that the dealership is certified to ship hazardous material and the shipments are in full compliance with hazardous materials transportation regulations.
- For more information on certification please send an e-mail topartstrans@mazdausa.com.

C. CAMPAIGN LABEL INSTALLATION

Complete a "Campaign Label" with the recall number written on the sticker and affix it to the vehicle's hood or bulkhead. Refer back to the illustrations under "A. VEHICLE INSPECTION PROCEDURE".