

Subject: ACCESSORY CHROME FUEL DOOR WILL NOT OPEN	Bulletin No: 09-008/02
	Last Issued: 03/08/2002

APPLICABLE MODEL(S)/VINS

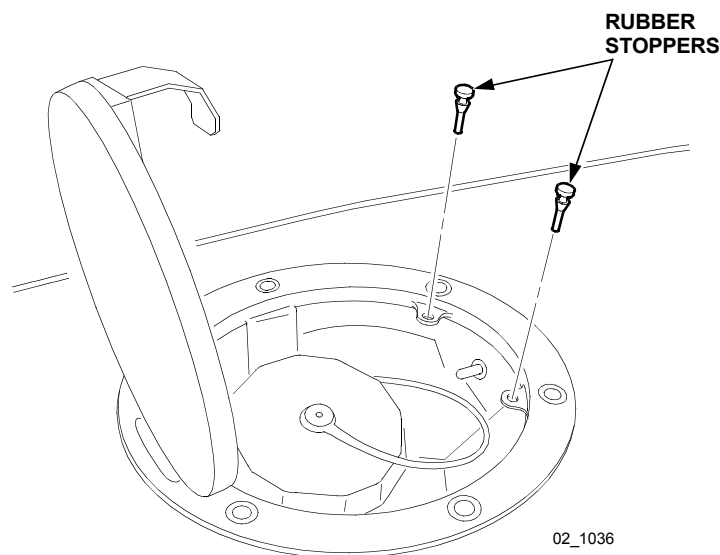
1999 - 2002 Miata with accessory chrome fuel door

DESCRIPTION

The accessory chrome fuel door may not open when the release lever is pulled from inside the vehicle's center console. This may be caused by the (2) rubber fuel door stoppers sticking to the underside of the fuel door. Follow the procedure outlined in this bulletin for installing revised rubber fuel door stoppers.

REPAIR PROCEDURE

1. Verify customer concern.
2. Remove the (2) existing rubber stoppers from the fuel door.



3. Install (2) revised rubber stoppers pushing downwards.

NOTE: Make sure the stoppers are seated completely in the fuel door assembly.

4. Verify repair.

CONSUMER NOTICE: The information and instructions in this bulletin are intended for use by skilled technicians. Mazda technicians utilize the proper tools/equipment and take training to correctly and safely maintain Mazda vehicles. These instructions should not be performed by "do-it-yourselfers." Customers should not assume this bulletin applies to their vehicle or that their vehicle will develop the described concern. To determine if the information applies, customers should contact their nearest authorized Mazda dealership.

Bulletin No: 09-008/02	Last Issued: 03/08/2002
-------------------------------	--------------------------------

PART(S) INFORMATION

Part Number	Description	Qty.	Notes
0000-8R-D10	Rubber Stopper Kit	1	Kit contains (2) rubber stoppers

WARRANTY INFORMATION

Note: This information applies to verified customer complaints on vehicles covered under normal warranty. Refer to the SRT microfiche for warranty term information.

Warranty Type	A
Symptom Code	41
Damage Code	9E
Part Number Main Cause	0000-8R-D10
Quantity	1
Operation Number / Labor Hours:	F0508XRX / 0.2 Hrs